

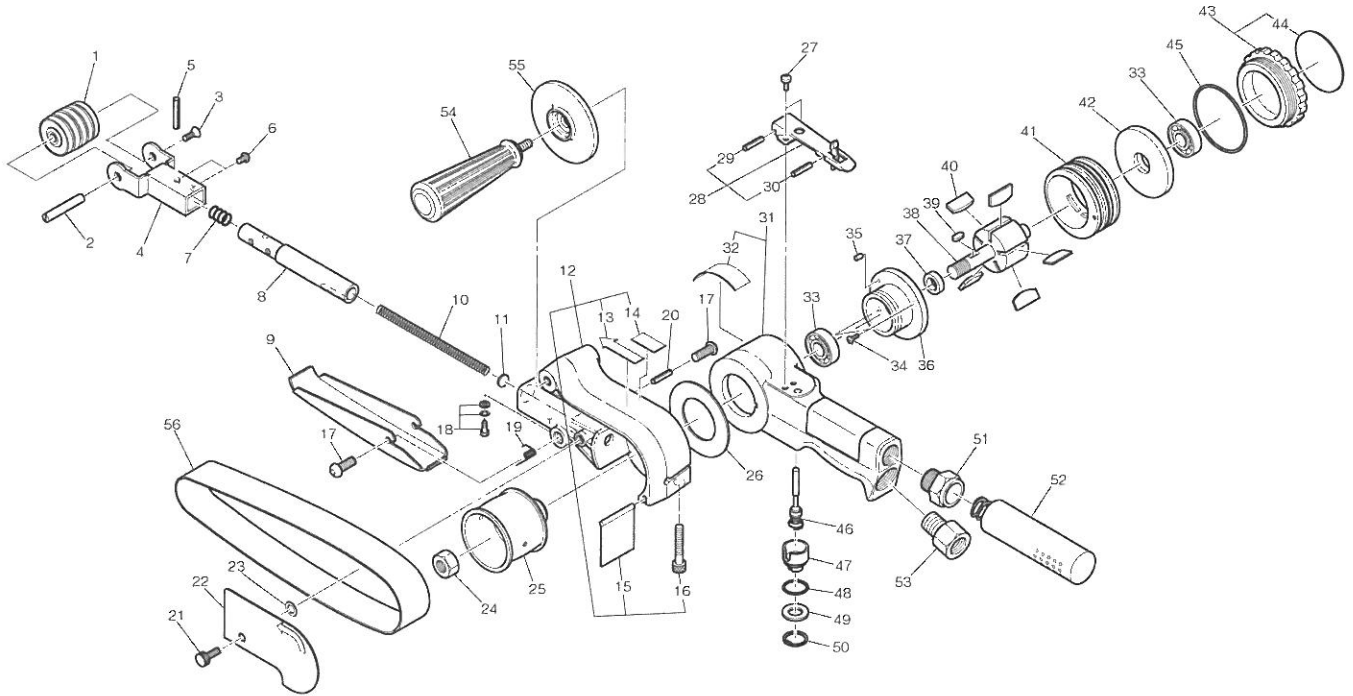
## 10.Exploded Diagram and Parts List: B-30N

### Warning

This diagram is for reference only. Do not attempt to service or repair the Nitto Pneumatic belt sander, Do not take the Tool apart. Contact an authorized Nitto dealer for all service and repair of the Tool. Improper service and repair can cause accidents and severe injuries.

Never attempt to modify the Tool.

Never attempt service or repair the Tool yourself.



| No. | Part No.  | Part Name                        | Q'ty | Price |
|-----|-----------|----------------------------------|------|-------|
| 1   | TB08170   | Idle Pulley A Ass'y              | 1set |       |
| 2   | TQ11792   | Idle Pulley Shaft                | 1    |       |
| 3   | TP16219   | Hex. Countersunk Head Screw 4X10 | 1    |       |
| 4   | TB08028   | Bracket Sub Ass'y                | 1set |       |
| 5   | TP07577   | Spring Pin 4X16 AW               | 1    |       |
| 6   | TP08646   | Hex.Cap Screw 5X14               | 2    |       |
| 7   | TQ10526   | Tension Bar Spring               | 1    |       |
| 8   | TQ11793   | Tension Bar                      | 1    |       |
| 9   | TQ11881   | Flat Shoe                        | 1    |       |
| 10  | TQ11794   | Spring 1.4X7.2X110               | 1    |       |
| 11  | TQ11838   | Spring Guide                     | 1    |       |
| 12  | TB08171   | Guard Sub Ass'y B                | 1set |       |
| 13  | (TP16360) | Label Rotation                   | 1    |       |
| 14  | (TP16361) | Label Caution                    | 1    |       |
| 15  | (TP04060) | Dust Cover                       | 1    |       |
| 16  | (TP04073) | Hex.Cap Screw 6X35               | 1    |       |
| 17  | TP08132   | Pan Head Screw 6X8               | 2    |       |
| 18  | TA92254   | Key Bolt Ass'y                   | 1set |       |
| 19  | TQ11810   | Shoe Spring                      | 1    |       |
| 20  | TQ11997   | Parallel Pin 5X16                | 1    |       |
| 21  | TQ02418   | Decorative Screw 5X10            | 1    |       |
| 22  | TQ11797   | Belt Cover                       | 1    |       |
| 23  | TQ04426   | Nylon Washer                     | 1    |       |
| 24  | TP04077   | Hex.Nut M12X1.5                  | 1    |       |
| 25  | TQ11807   | Drive Pulley                     | 1set |       |
| 26  | TP04058   | Thrust Washer B 36.2X62X1        | 1    |       |
| 27  | TP06290   | Pan Head Screw 4X 8              | 1    |       |
| 28  | TB01793   | Throttle Lever Ass'y             | 1set |       |
| 29  | (TP00460) | Spring Pin 3X22 AW               | 1    |       |
| 30  | (TP05498) | Spring Pin 2X16 AW               | 1    |       |
| 31  | TB08066   | Housing Sub Ass'y                | 1set |       |
| 32  | (TQ11849) | Label Warning                    | 1    |       |
| 33  | TP00498   | Ball Bearing 6001ZZ              | 2    |       |

| No. | Part No.  | Part Name                            | Q'ty | Price |
|-----|-----------|--------------------------------------|------|-------|
| 34  | TQ11986   | Hex. Countersunk Head Screw 4X8      | 2    |       |
| 35  | TP04061   | SpringPin 3X 6 AW                    | 1    |       |
| 36  | TQ11801   | Lower Bearing Case                   | 1    |       |
| 37  | TP04036   | Spacer                               | 1    |       |
| 38  | TP04032   | Rotor                                | 1    |       |
| 39  | TP00502   | Parallel Key Both Ends Round 4X4X9.5 | 1    |       |
| 40  | TA9A215   | Blade Ass'y (5pcs/set)               | 1set |       |
| 41  | TP04031   | Cylinder                             | 1    |       |
| 42  | TP04035   | Upper Bearing Case                   | 1    |       |
| 43  | TB08065   | Cap Ass'y                            | 1set |       |
| 44  | (TQ11848) | Label Model                          | 1    |       |
| 45  | TQ11806   | O-Ring AS568A-034                    | 1    |       |
| 46  | TA93925   | Valve Stem Ass'y                     | 1set |       |
| 47  | TP12405   | Adjust Valve                         | 1    |       |
| 48  | TP12407   | O-Ring S- 15                         | 1    |       |
| 49  | TP12406   | Spacer 10.5X17.9X1 6                 | 1    |       |
| 50  | CP00987   | Internal Retaining Ring C- 18        | 1    |       |
| 51  | TP10005   | Bushing PF 3/8                       | 1    |       |
| 52  | TA96323   | Silencer Ass'y                       | 1set |       |
| 53  | TP00857   | Bushing M16XP1/4                     | 1    |       |

#### Standard Accessories

| No. | PartNo. | Part Name                  | Q'ty |
|-----|---------|----------------------------|------|
| 54  | TA91354 | Sub Handle Ass'y           | 1set |
| 55  | TP16126 | Grip Guard                 | 1    |
|     | TP01939 | Hex. Socket Screw Key 4    | 1    |
| 56  | TQ00358 | Abrasive Belt Z76X # 60X30 | 2    |
|     | TQ00359 | Abrasive Belt Z76X # 80X30 | 1    |
|     | TQ00360 | Abrasive Belt Z76X #100X30 | 1    |
|     | TQ11700 | Instruction Manual         | 1    |
|     | TP04004 | Hex. Socket Screw Key 5    | 1    |
|     | TP02236 | Bushing PT1/4XNPT1/4       | 1    |